





VACUUM CLEANER



INSTRUCTION MANUAL MODEL VCM43A14V

AFTER SALES SUPPORT

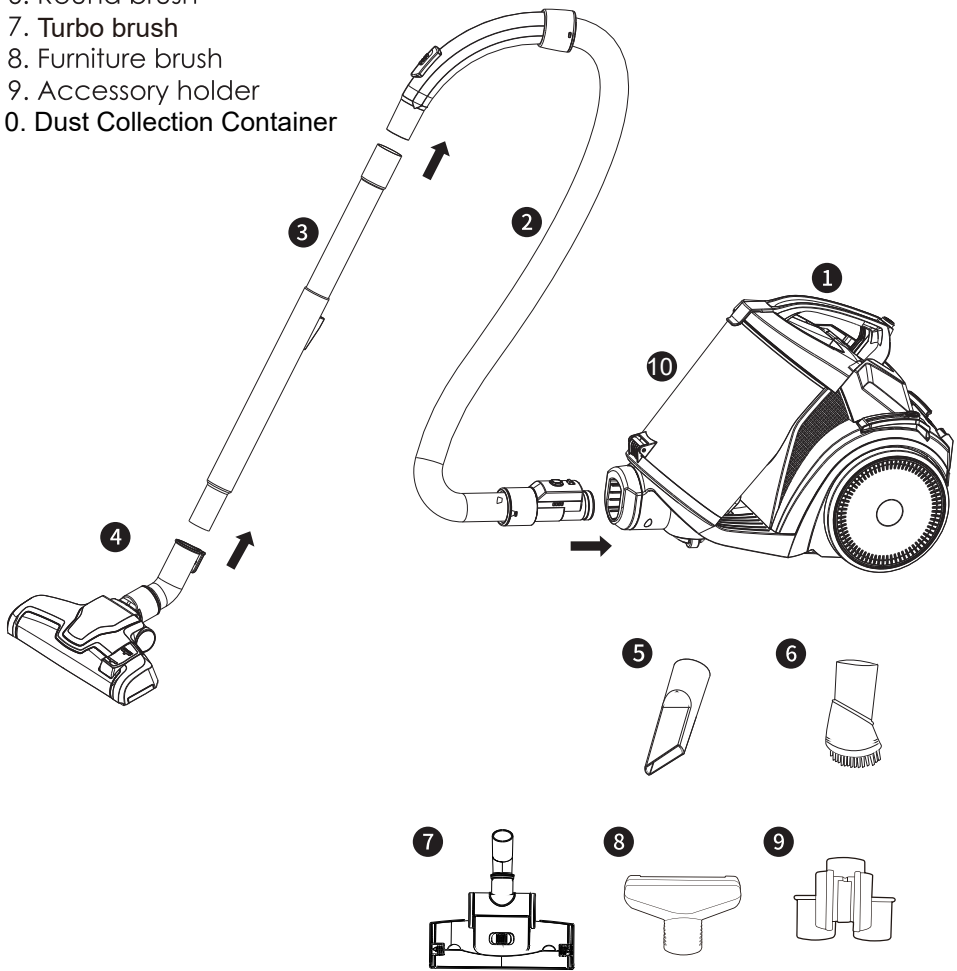
  0800 422 274

Important Safety Instructions

- Read the manual carefully and keep it secure for future use.
- Before the first operation, make sure all parts are correctly installed.
- Make sure the power supply is 220-240V~ 50/60Hz.
- Do not suck up liquids or flammable material.
- Do not suck up burning material or ash.
- Do not use the appliance without the filters in place.
- Please empty the dust bin immediately when it is full (dirt reached MAX line).
- Do not store or use the appliance close to high temperature sources (heaters).
- If abnormal noise, smell, smoke or any other failure or breakage is found during the operation, immediately turn off the switch and unplug it. Contact an authorised service centre, Do not attempt repair by yourself.
- For indoor use only, do not expose to water.
- If the supply cord is damaged, it must be replaced by the manufacturer or its service agent or a similarly qualified person in order to avoid a hazard.
- This appliance is not intended for use by persons (including children) with reduced physical, sensory or mental capabilities, or lack of experience and knowledge, unless they have been given supervision or instruction concerning use of the appliance by a person responsible for their safety.
- Children should be supervised to ensure that they do not play with the appliance.
- The plug must be removed from the power socket before cleaning, maintenance or replacement.
- The hose should be checked regularly and must not be used if damaged.
- The appliance is for household use only.
- Never leave the appliance unattended when it is switched on.

Product and accessory overview

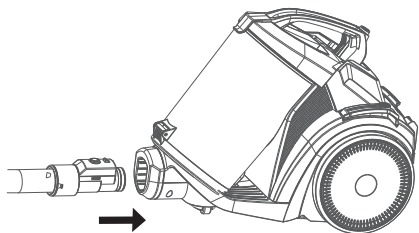
- 1. Main body
- 2. Hose
- 3. Extension tube (Adjustable length)
- 4. Floor Head
- 5. Crevice tool
- 6. Round brush
- 7. Turbo brush
- 8. Furniture brush
- 9. Accessory holder
- 10. Dust Collection Container



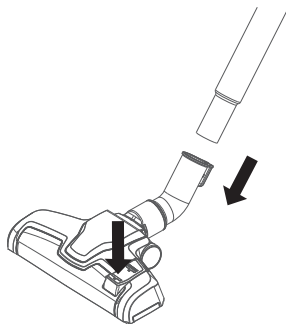
How to Use

• Attaching the tools

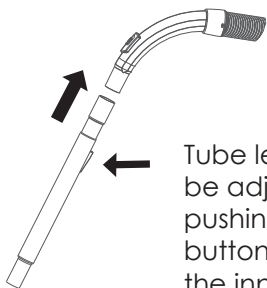
To connect the hose, insert the hose end connector into the hose socket at the front of the vacuum cleaner until it clicks.
To remove the hose, press the button on the hose connector and pull out the hose.



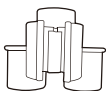
Connect the other end of the extension tube to the floor head. Make sure the tool is attached securely before use. You can choose Hard Floor or Carpet cleaning by pushing the selector on the floor tool (bristles extended for hard floor).



Connect the adjustable extension tube to the curved end of the hose. The shorter end of the tube is connected to the hose.



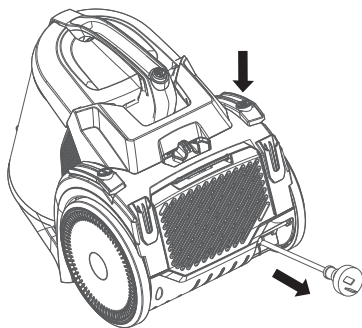
Tube length can be adjusted by pushing the unlock button and sliding the inner tube up or down, release button to lock in position.



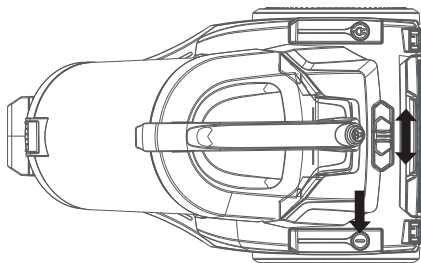
Note: Accessory holder can be slid onto the extension tube and then used to support accessories.

• Operation

Extend the power cable until you see the yellow mark. Make sure the red mark is not visible.
When cleaning is finished, turn off the power, unplug and push the cable retract button until the cable has fully retracted.

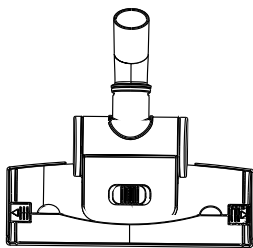


To switch ON or OFF, press the power button as shown below. Use the slider to adjust the suction power for different cleaning purposes.



• Turbo Brush

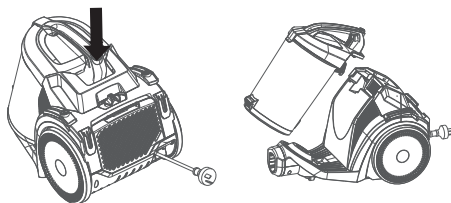
The turbo brush can be used on both carpet and hard floor surfaces. It provides a deeper clean for carpeted floors (also good for efficiently collecting pet hair).



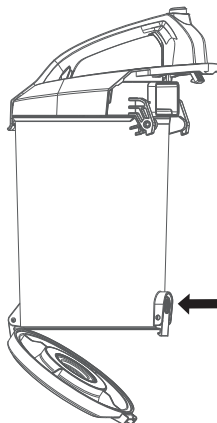
Care and Maintenance

• Emptying the dust collection container

Hold the handle of the dust collection container and push the release button, Lift the container away from the machine.



Hold the collection container above the rubbish bin, push the release button to open the bottom of the container, and empty the contents. Close the collection container bottom lid after emptying.



Cleaning the filters

- The filters should be periodically checked and cleaned if necessary. Frequency of cleaning will vary with amount of use and volume of dust collected.

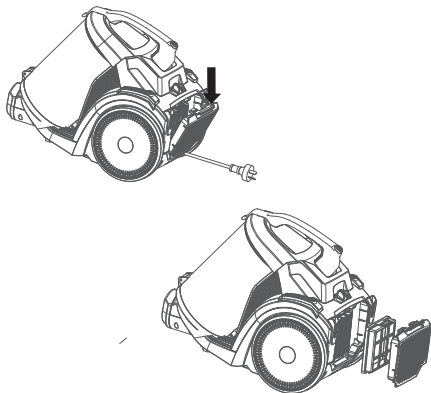
WARNING: The performance of the vacuum will be severely compromised if the filters are not regularly cleaned.

The filters must be correctly fitted before using the vacuum cleaner again.

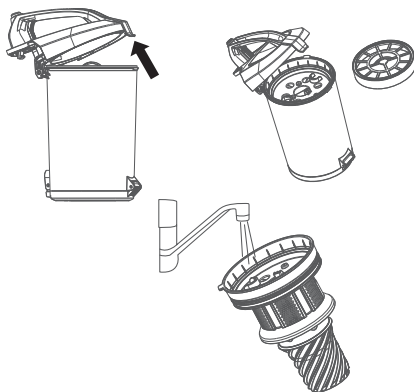
Filters should be hand washed in warm water only and allowed to air dry. Do not wash the filters in a washing machine or dry them in a dryer.

Do not use the filters while they are wet. This will reduce the suction power and damage the motor.

1. Press the outlet lock to open the outlet cover, take out the outlet filter.



2. Press the button of front cover to open the dust bin, Take the HEPA filter out from the dust bin, Wash the cyclone assembly.



WARNING:

Only use water without detergent when you wash the filters, the cyclone assembly, the inlet cover and the dust collection container. Dry them thoroughly before use.

3. Replace the cyclone assembly and the filter in the dust container. When you place the filter on the cyclone assembly, rotate the filter until it locks in position. Make sure the parts are in correct positions. Carefully place the dust collection container on the vacuum cleaner main body. Gently push the dust container until it clicks and locks in position.

If the dust collection container does not click and lock, make sure it is aligned correctly.



Warranty

We pride ourselves on producing a range of quality home appliances that are both packed with features and completely reliable. We are so confident in our products, we back them up with a 3 year warranty.

Now you too can relax knowing that you are covered.

Customer Helpline NZ: 0800 422 274

This Product is covered by a 3 year warranty when accompanied by proof of purchase.

IM Vesion 1.1 - July 2020